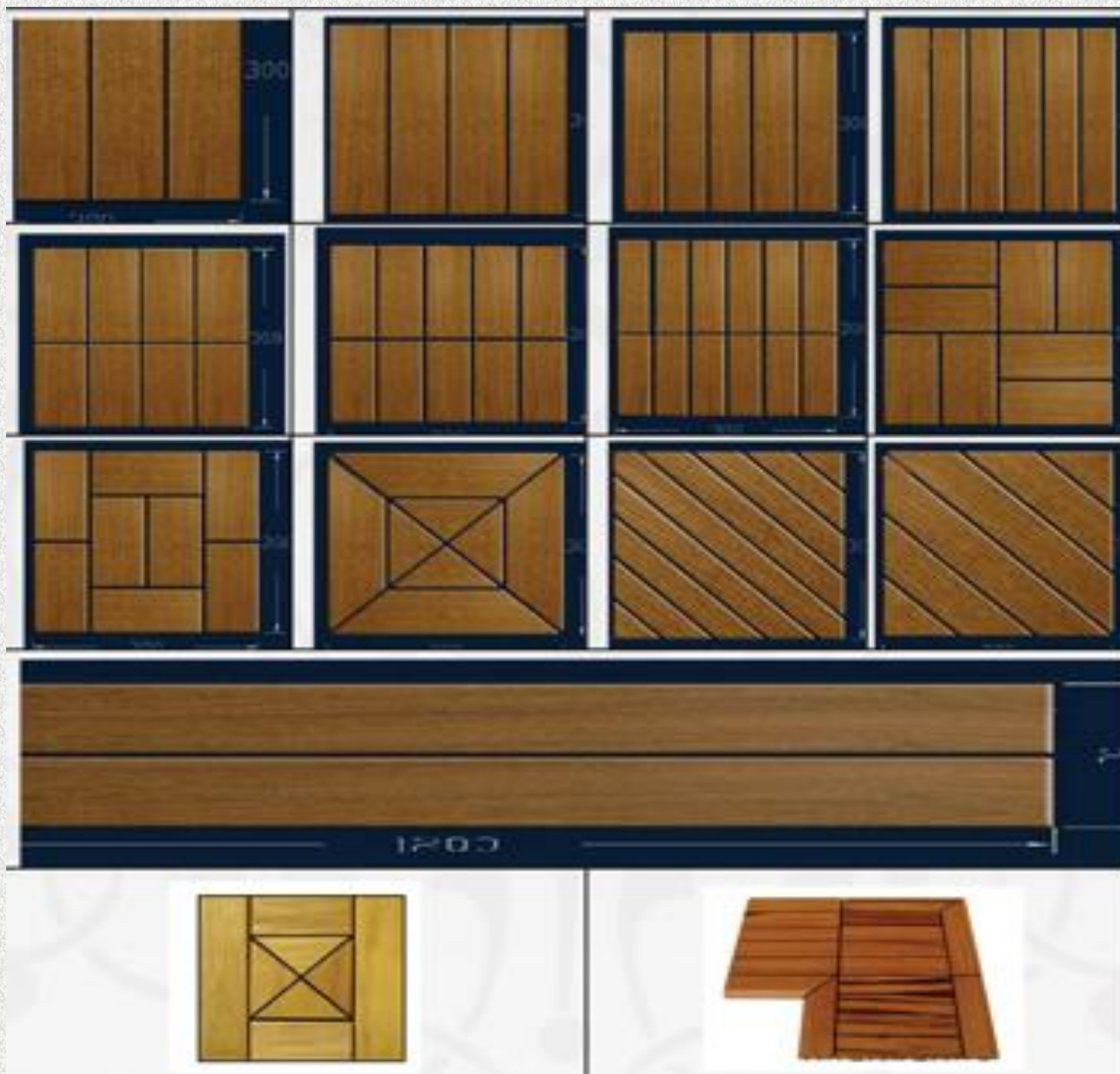


## DIY Outdoor Decking Tiles

Feel nature look in your favorite places when you install wood outdoor decking Tiles.

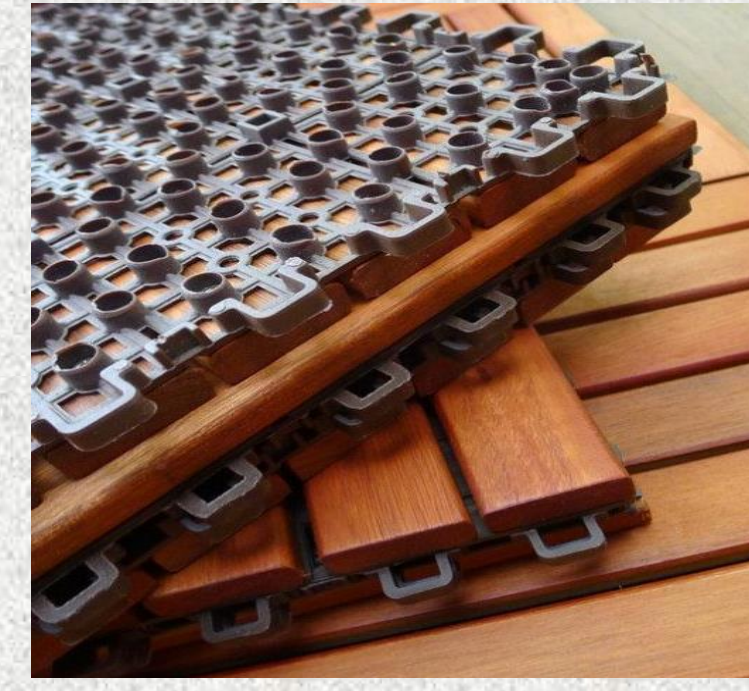
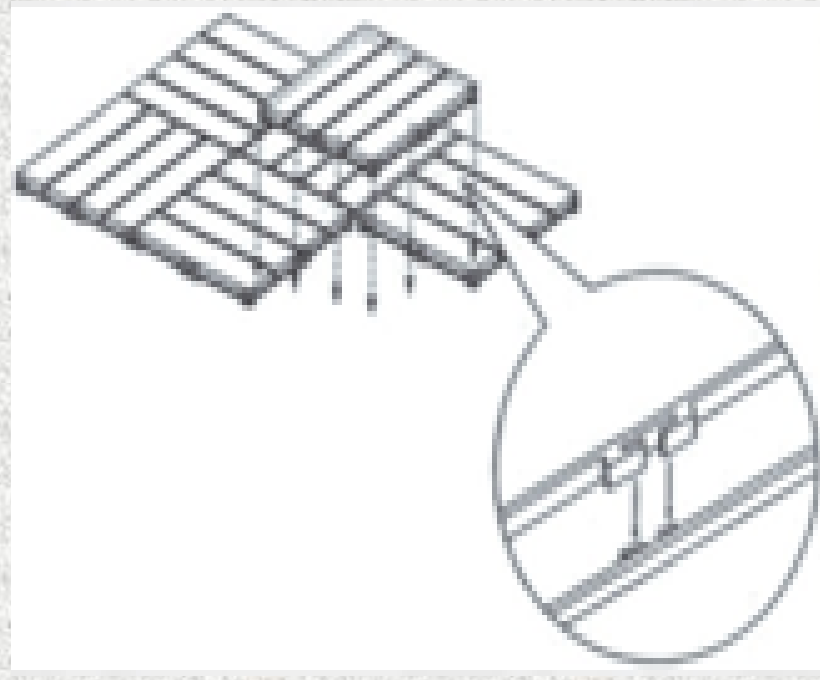


## Various types of Slat Pattern

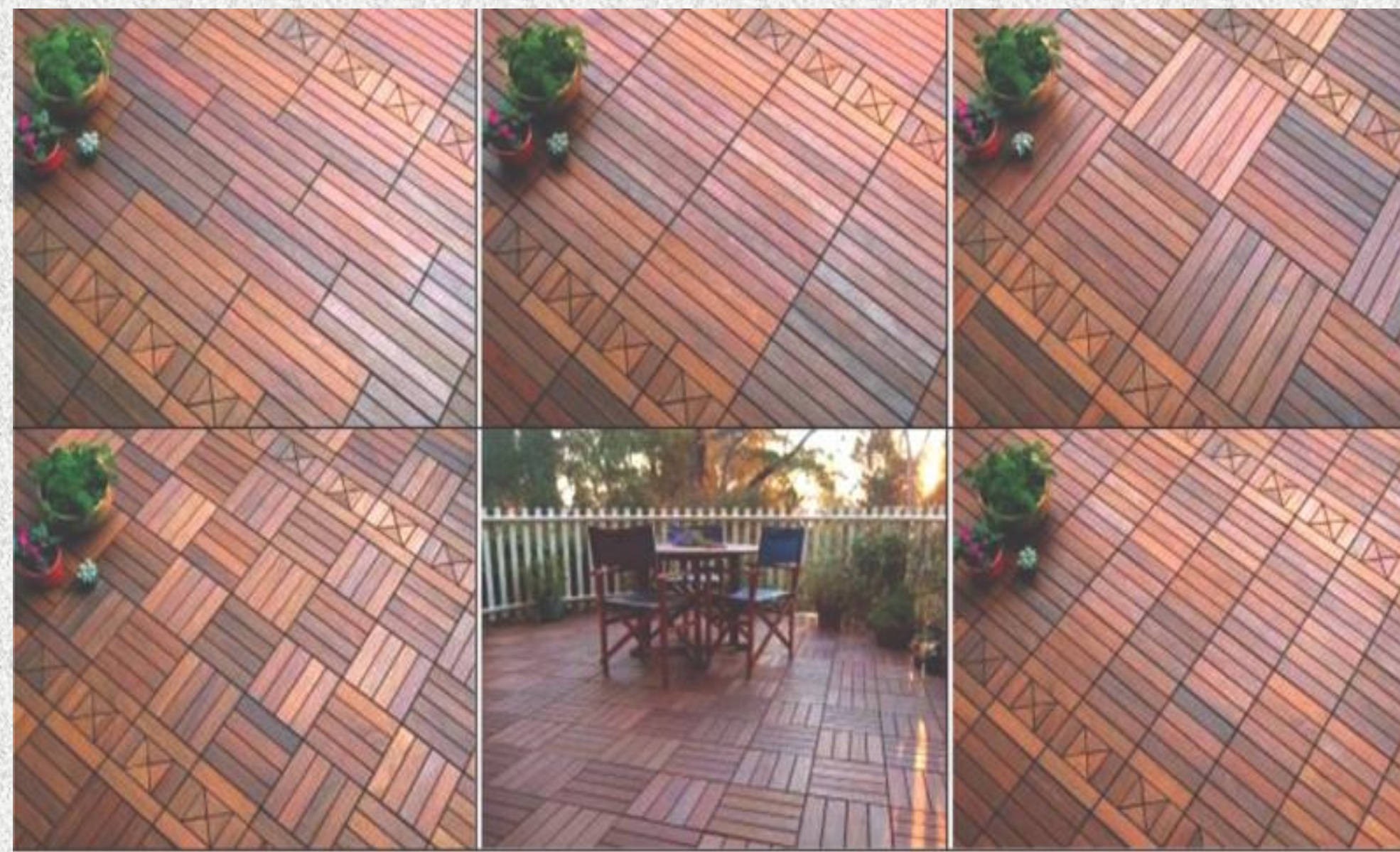


## Easy Installation

You don't need any special tools - just a tape measure, sharp knife, screwdriver and handsaw (only needed if you need to cut the tiles to fit a fixed area or to fit around objects). You don't need any adhesives or extra parts.



## Design your layout



## Applications

Every species are chosen after strict and professional test for both interior and exterior applications, can be used in bathroom, swimming pool, patio, porch, backyard, balcony, roof top (root garden), basement, pathway, spa, Sauna or hot tubs, etc. It is easy to maintain, no special treatment is need.

### Swimming pool



### Hotel & Resorts



### Spa & Shower

